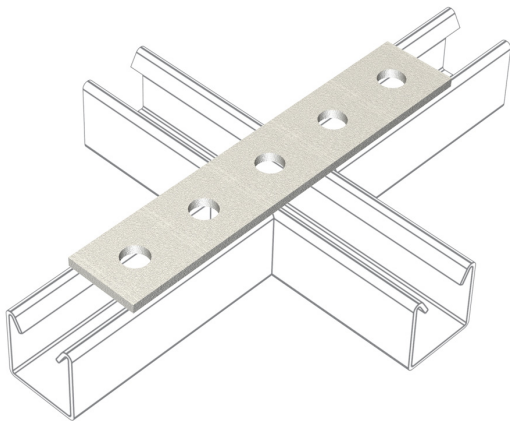


PRODUCT CODE: MP5
CHANNEL BRACKET



DESCRIPTION

Splice Plate 5 Hole

FINISH

Hot Dipped Galvanised

MATERIAL

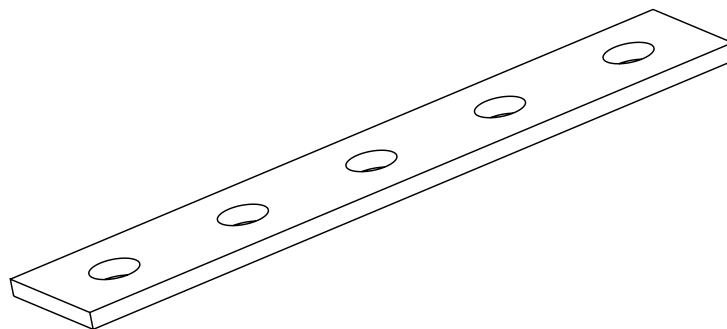
Steel

PACKAGING

Packed in qty 25

ADDITIONAL NOTES

Compliant to LU Standard 1-085 (for use on surface & sub-surface locations)



Isometric view

